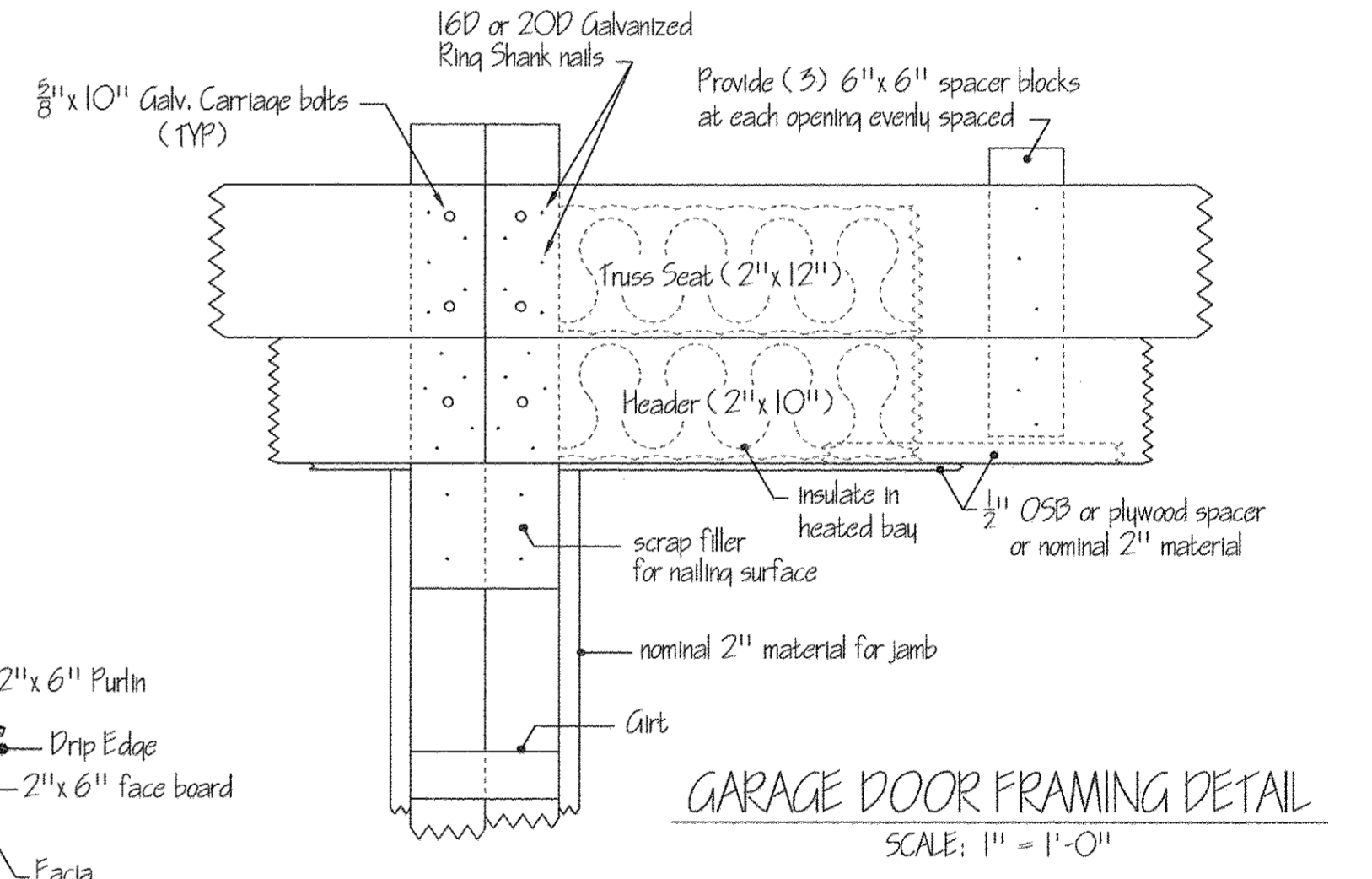
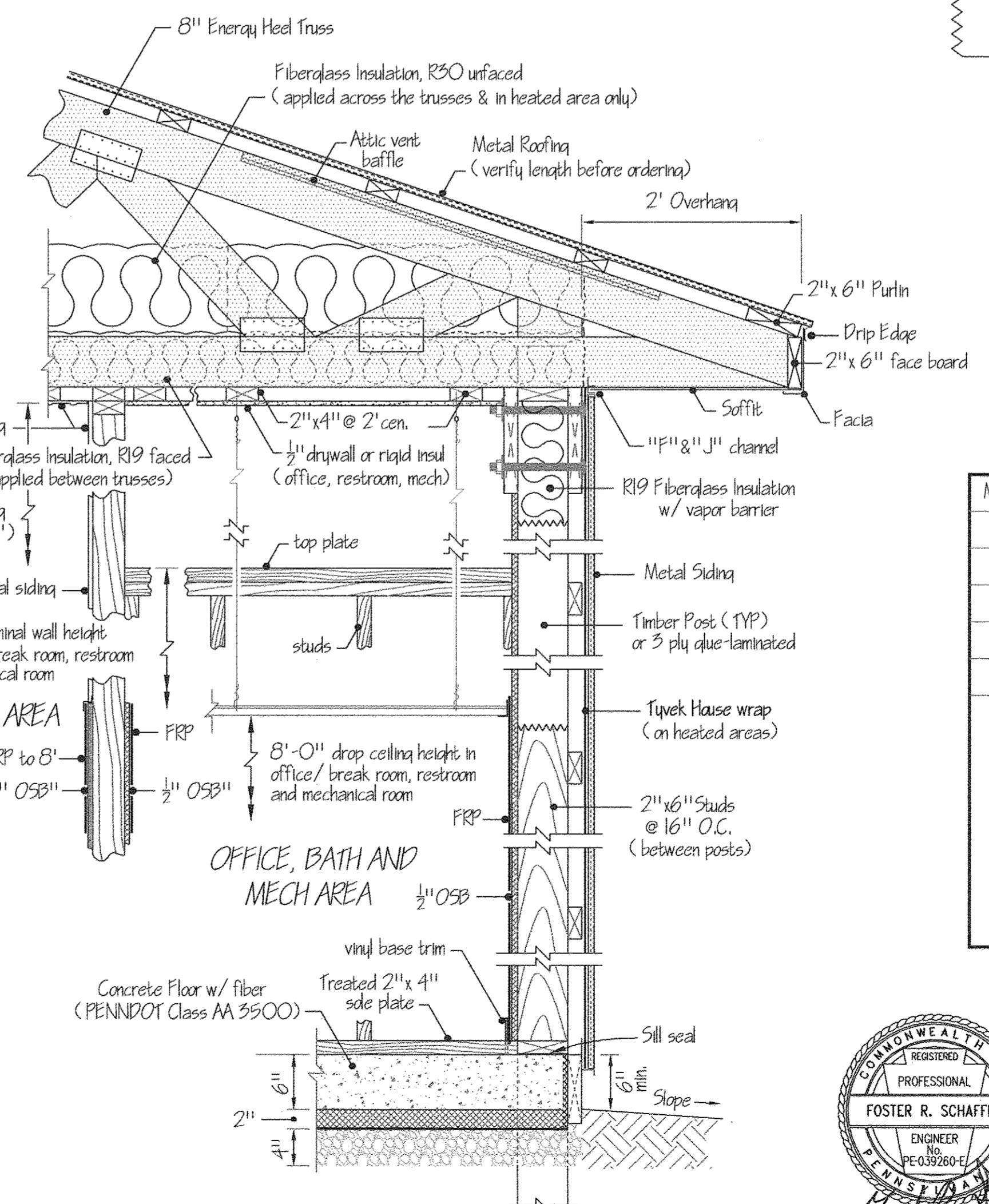
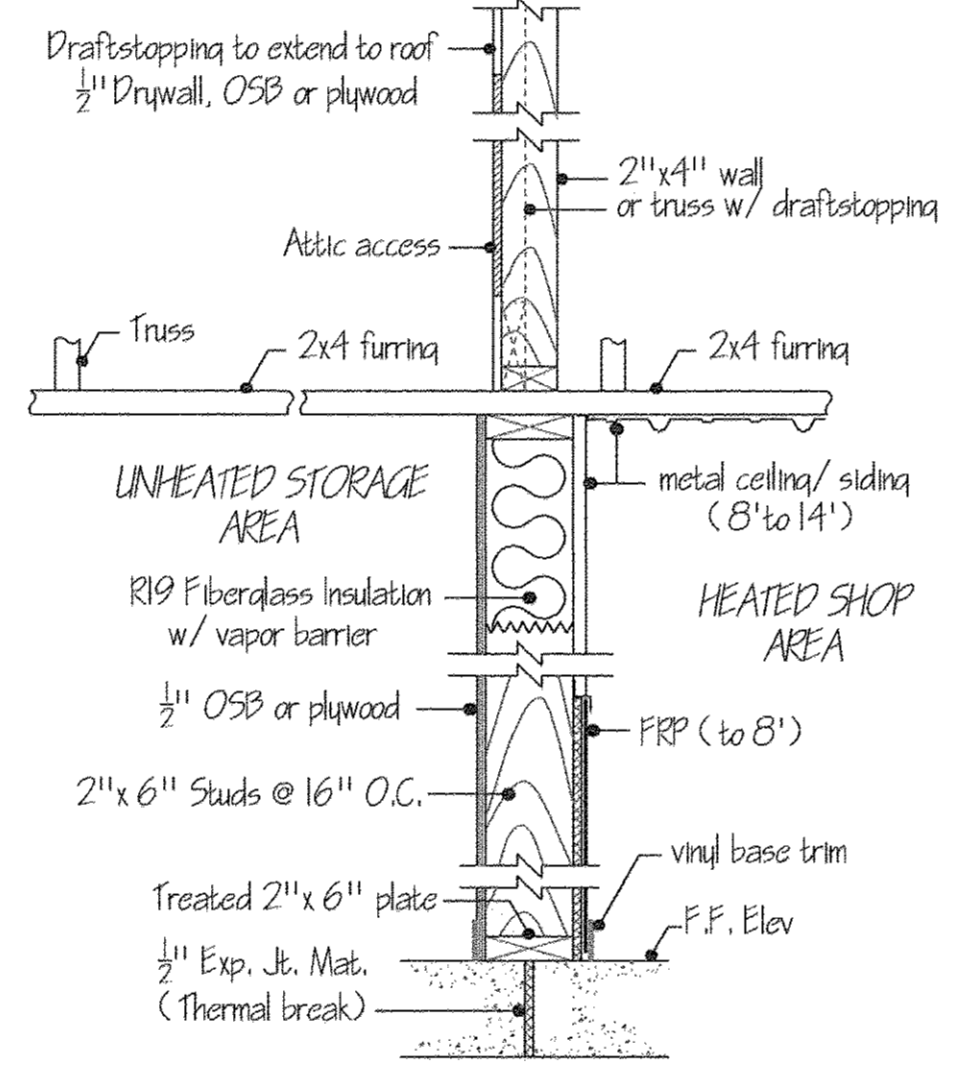
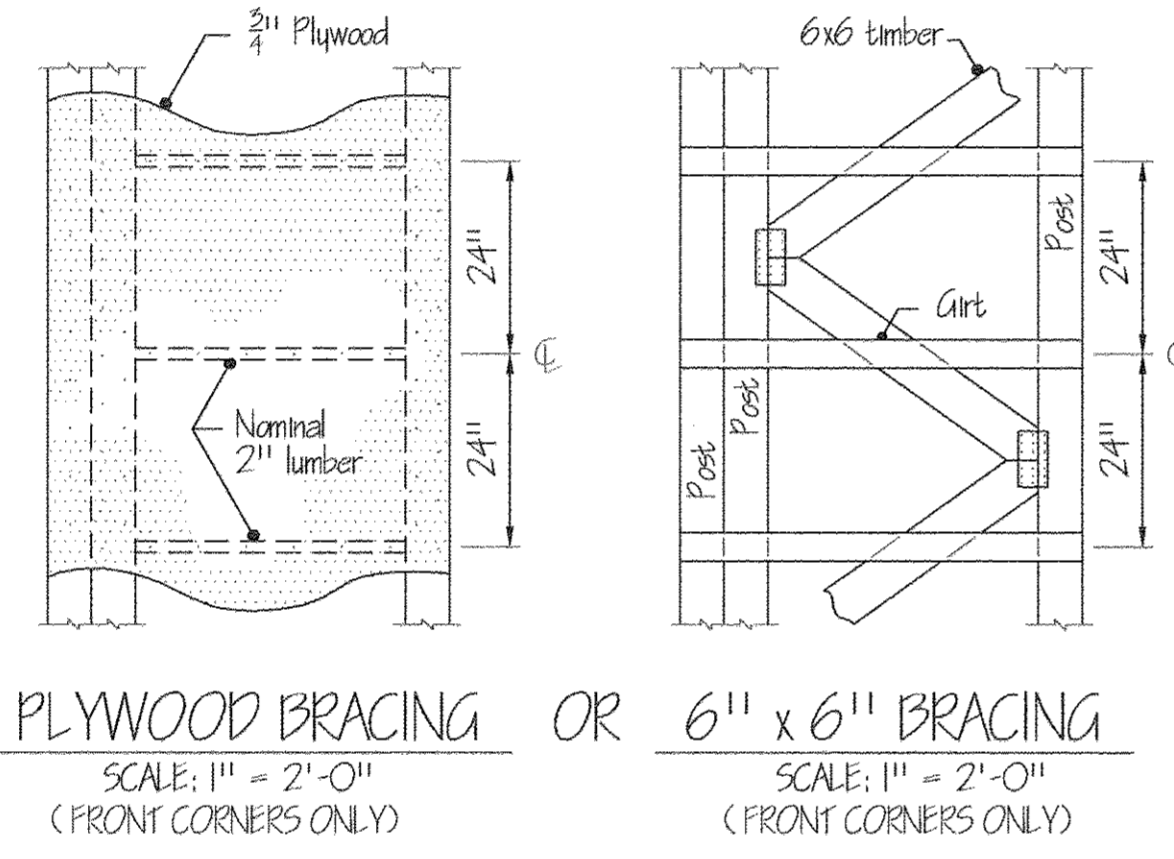
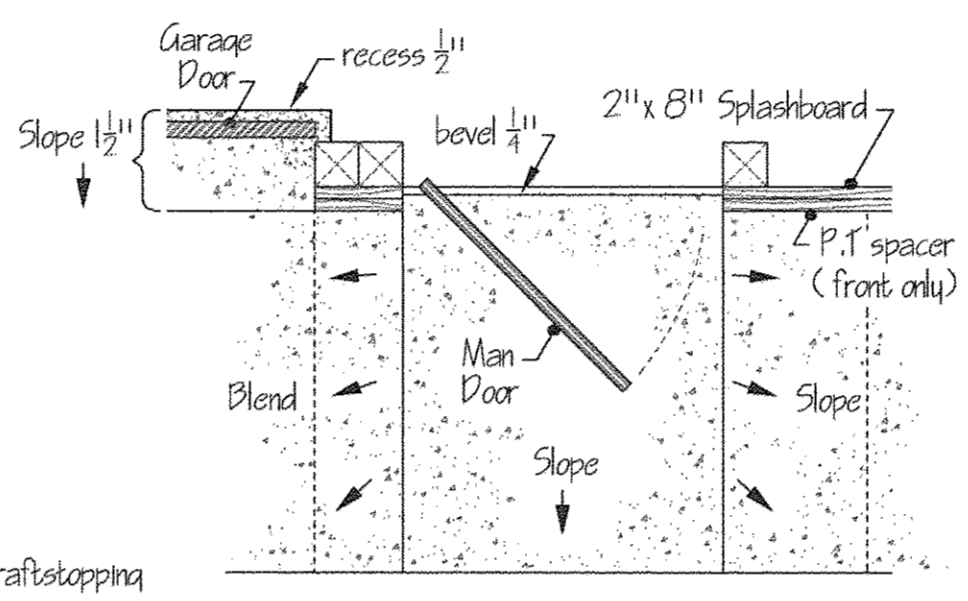
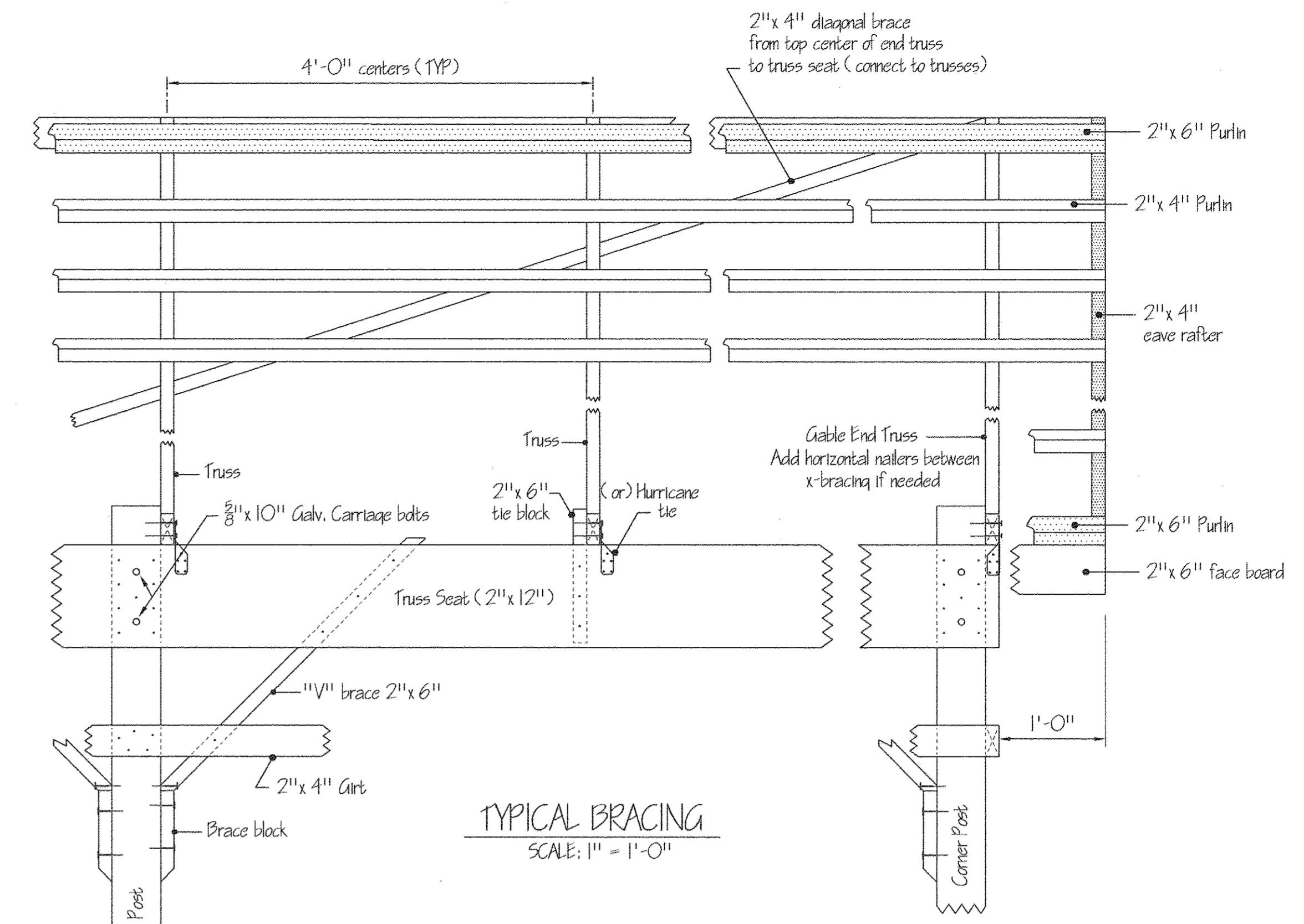
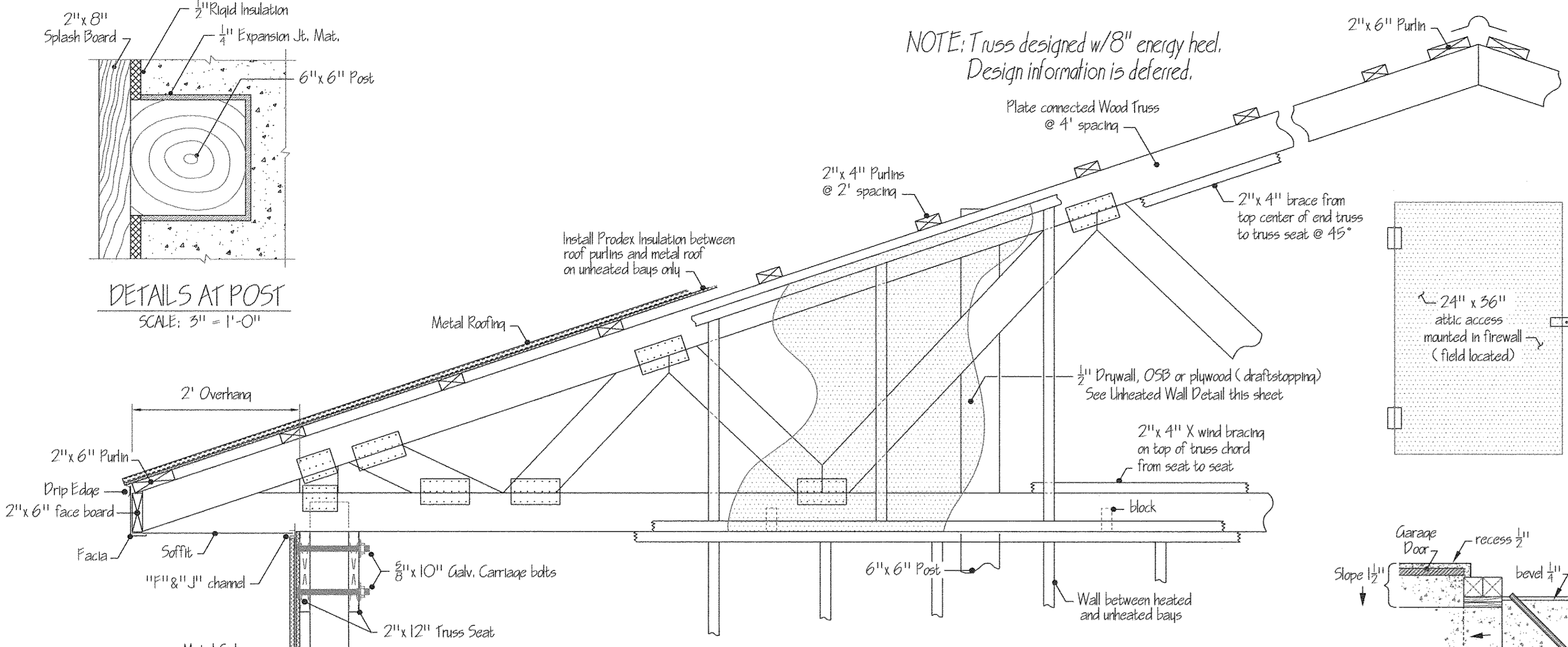


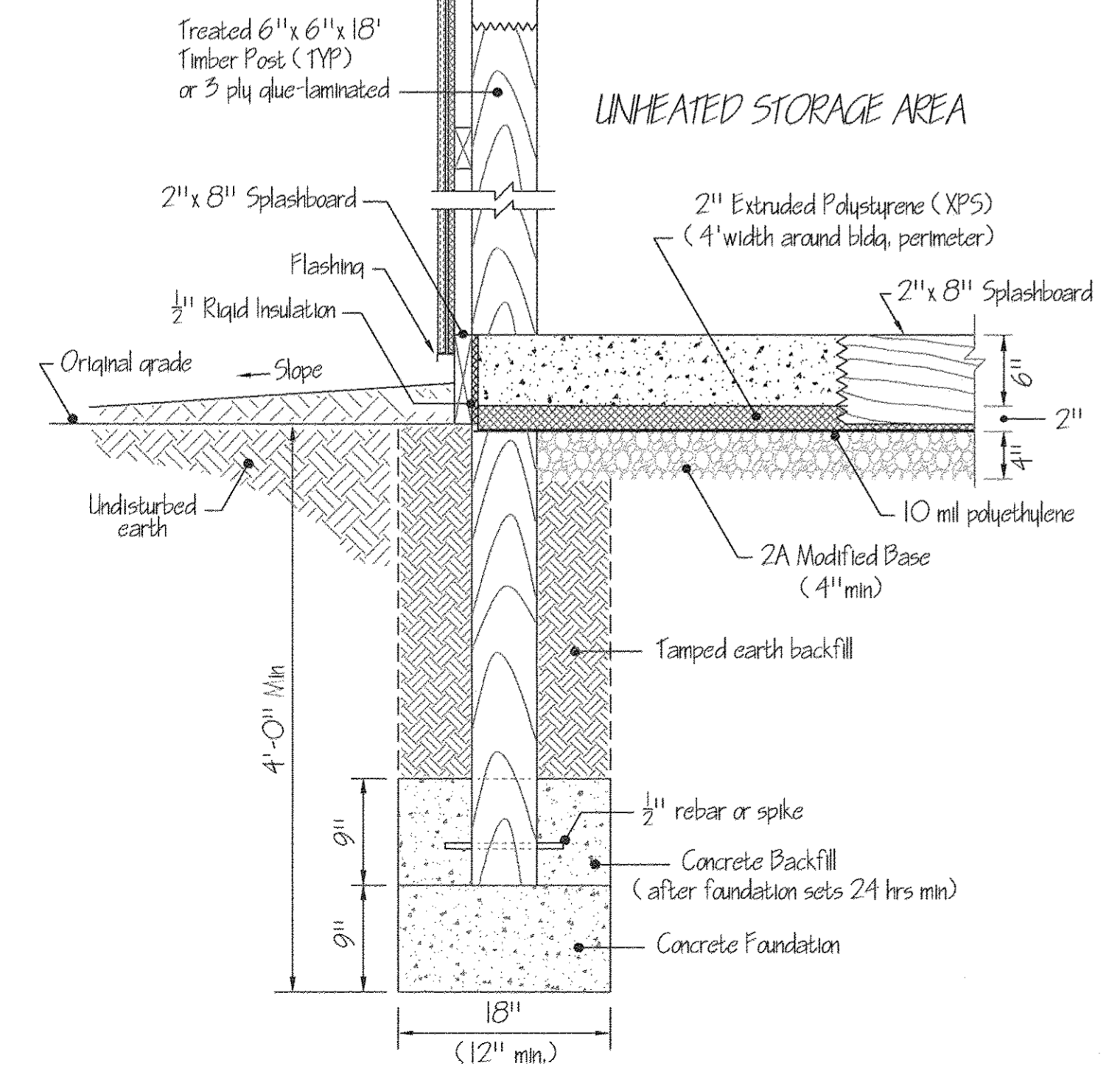
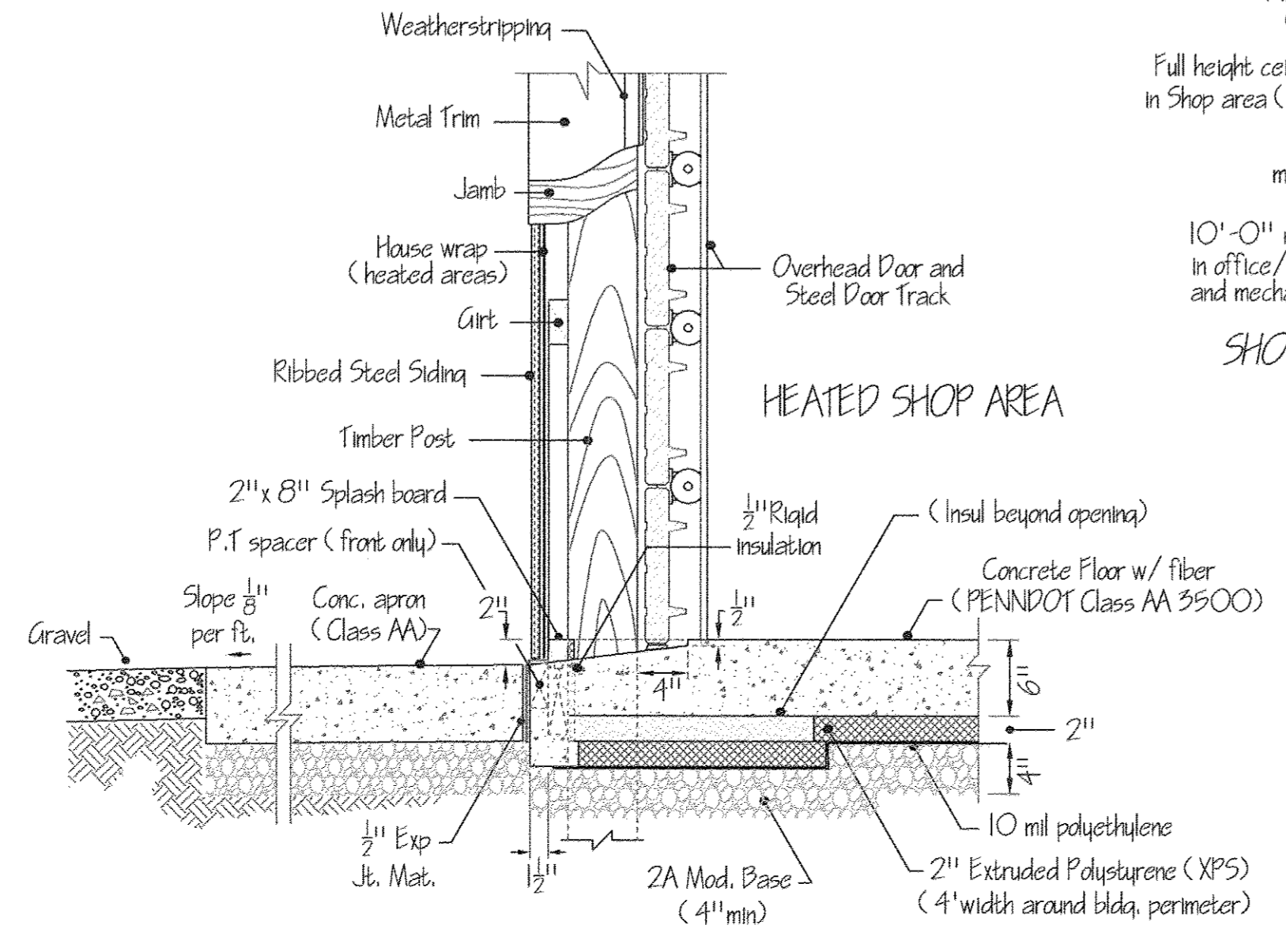
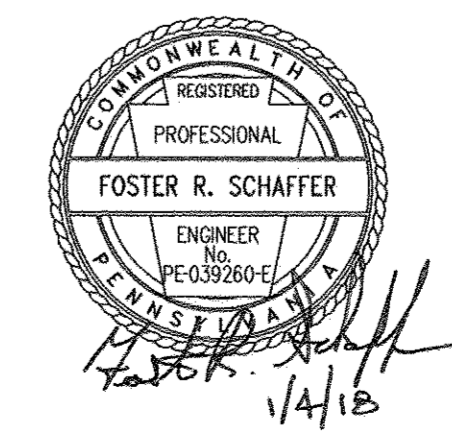
NOTE: Truss designed w/8" energy heel.
Design information is deferred.



Mark	Type	W	H	T	Hand	Qty	Remarks
A	2	5'-0"	7'-0"	1-3/4"	RHR	5	Insulated Core w/ glass & Panic Bolt
B	1	5'-0"	7'-0"	1-3/4"	RH	1	Non-insulated w/ glass & passage set
B	1	5'-0"	7'-0"	1-3/4"	RHR	1	Non-insulated w/ glass & passage set
C	2	5'-0"	7'-0"	1-3/4"	LH	1	Non-insulated Core w/ lockset
D	2	5'-0"	7'-0"	1-3/4"	LH	0	Non-insulated Core w/ passage set

DOOR SCHEDULE

PENNYSYLVANIA GAME COMMISSION		
STATE GAME LANDS #216	SCOTT TWP.	LAWRENCE CO.
FRAMING DETAILS		
REVISIONS		
PROJECT NO.	PGC-216-18-1	
DRAWING NO.	216-DETAILS-1	
DRAWN BY:	JBM	
DATE:	12-08-17	
SHEET NO.	2 OF 5	



CROSS SECTION DETAIL
SCALE: 1" = 1'-0"

O.H. DOOR SILL AND JAMB DETAIL
SCALE: 1" = 1'-0"

CROSS SECTION DETAIL
SCALE: 1" = 1'-0"